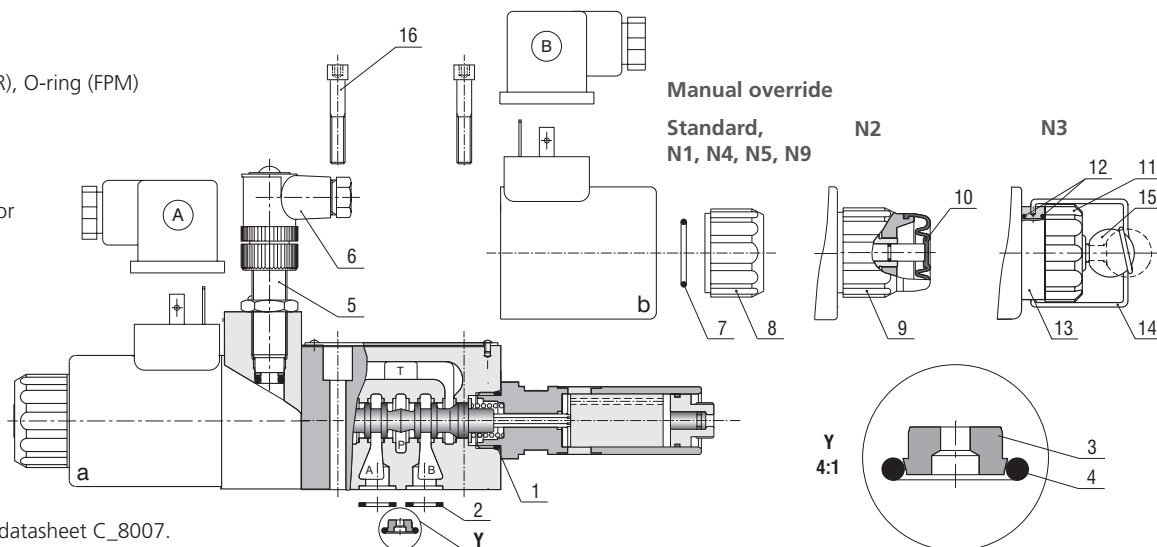


1 Directional Control Valves and Poppet Valves

Product (Datasheet): **RPE3-06 (4010), RPEA3-06 (4029), RPEW4-06 (4035), RPER3-06 (4026)**

Valve size 06

- 1 - O-ring
- 2 - Square ring (NBR), O-ring (FPM)
- 3 - Orifice in P port
- 4 - O-ring
- 5 - Sensor
- 6 - Connector of position sensor with LED
- 7 - O-ring
- 8 - Retaining nut
- 9 - Retaining nut
- 10 - Rubber boot
- 11 - Nut
- 12 - O-ring
- 13 - Ring
- 14 - Bracket
- 15 - Ball
- 16 - Mounting bolt



For solenoid coil see datasheet C_8007.
For electrical connector see datasheet K_8008.

Position	RPE3-06, RPEA3-06, RPEW4-06, RPER3-06												
1+2	Seal Kit	Pos.	O-ring	Pcs	Pos.	Ring	Pcs	Ordering No.					
	NBR	1	17x1.8	2	2	Square ring 9.25x1.68	4	15845200					
	FPM		17.17x1.78	2		O-ring 9.25x1.78	4	15845400					
Position	RPE3-06, RPEA3-06, RPEW4-06												
3+4	Kit	Pos.	Orifice in P port	Pcs	Pos.	O-ring NBR	Pcs	Ordering No.					
Orifice in P port with NBR seal		3	Ø1.0	1	4	9.25x1.78	1	On request					
			Ø1.5	1									
			Ø2.0	1									
			Ø2.2	1									
			Ø2.5	1									
3+4	Kit	Pos.	Orifice in P port	Pcs	Pos.	O-ring FPM	Pcs	Ordering No.					
Orifice in P port with FPM seal		3	Ø1.0	1	4	9.25x1.78	1	15845600					
			Ø1.5	1									
			Ø2.0	1									
			Ø2.2	1									
			Ø2.5	1									
Position	RPE3-06												
5	Model	Pos.		Pcs	Max. input voltage	Ordering No.							
Sensor	S1	normally-open sensor (210 bar)	5	1	10...30 VDC	18838900							
	S4	normally-closed sensor (210 bar)		1							31022300		
6		Pos.		Pcs	Max. input voltage	Ordering No.							
Connector	K02	connector of position sensor with LED	6	1	10...30 VDC	17364800							
Position	RPER3-06												
7+8	Nut Kit	Pos.	O-ring	Pcs	Pos.	Retaining nut	Pcs	Ordering No.					
	Standard	7	22x2	1	8	Plastic	1	15844600					
Position	RPE3-06, RPEA3-06, RPEW4-06												
7+8	Nut Kit	Pos.	O-ring	Pcs	Pos.	Retaining nut	Pcs	Ordering No.					
	Standard, N4, N5, N9	7	22x2	1	8	Plastic	1	15844600					
	N1				8	Plastic	1				15844700		
7+9+10	Nut Kit	Pos.	O-ring	Pcs	Pos.	Retaining nut	Pcs	Pos.	Rubber boot	Pcs	Ordering No.		
	N2	7	22x2	1	9	Plastic	1	10		1	15844800		
11+12+13+14	Pos.	Retaining nut	Pcs	Pos.	O-ring	Pcs	Pos.	Ring	Pcs	Pos.	Bracket	Pcs	Ordering No.
Nut Kit	11	Plastic	1	12	22x2	2	13	Steel	1	14	Steel	1	15844900
15	Pos.	Ball		Pcs								Ordering No.	
	15	D16 M6, bakelite		1								20346700	
Position	RPE3-06, RPEA3-06, RPEW4-06, RPER3-06												
16	Bolt Kit	Pos.		Pcs	Ordering No.								
Mounting bolts for steel plates	16	Bolt M5x45		4	for studs see Datasheet 0020 15845100								

All dimensions are indicated in millimeters [mm].